



FLEXMOVER

FLEXMOVER

FLEXMOVER

Flexible handling of construction materials

Lifting capacity: 1,250 kgs

Drive speed: 4-6 km/h

Traction: Stop/start at 7° slope, fully loaded

Flexmover - AC model

Flexible handling of plasterboards and other construction materials

The Flexmover has been invented because heavy manual lifting is still one of the biggest threats to the working environment on the Danish construction sites - bad backs and sore joints in knees and elbows. Therefore, the Danish Working Environment Authority recommends that construction materials weighing more than 20 kgs are transported with mechanical aids.

The Flexmover - AC model is the next generation of mechanical carriages for handling heavy plasterboards and other construction materials. Both in terms of quality and price. The cart is CE marked for mechanical push and pull.

The trolley is equipped with a modern electric motor that brings it forward in speed. With continuous use, the battery capacity is five hours. Fully loaded, the trolley increases the ramps up to seven degrees and the truck's raise / lower lift lifts 1,250 kgs.

To easily get around rooms and corridors, the Flexmover - AC model is equipped with easily manoeuvrable wheels that rotate the front and rear axles simultaneously. This gives the truck a great manoeuvrability and can be carried along as the work progresses.

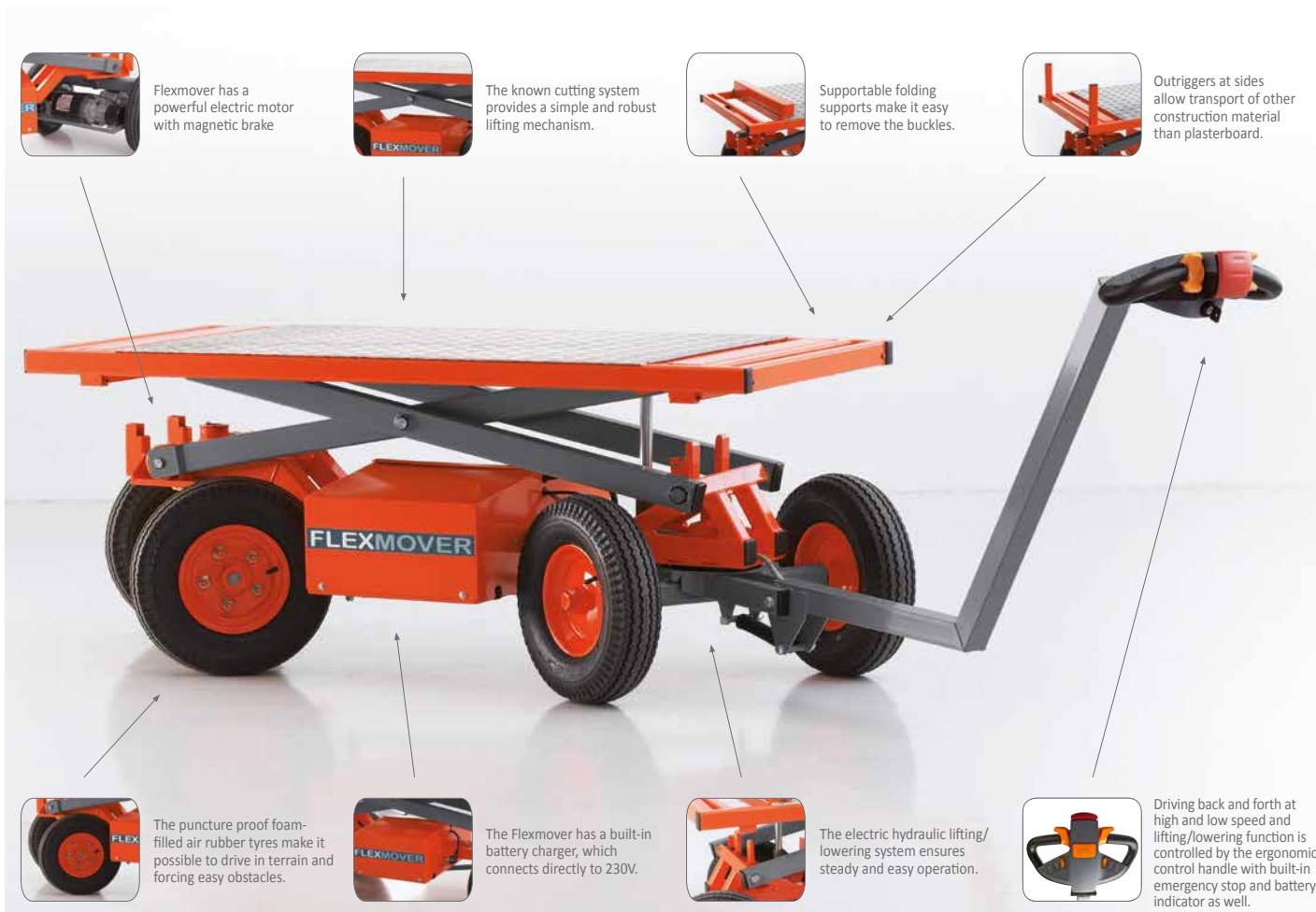
The Flexmover - AC model has a robust design. It resists construction site dust and drives easily uneven surfaces.

Manufacturer:

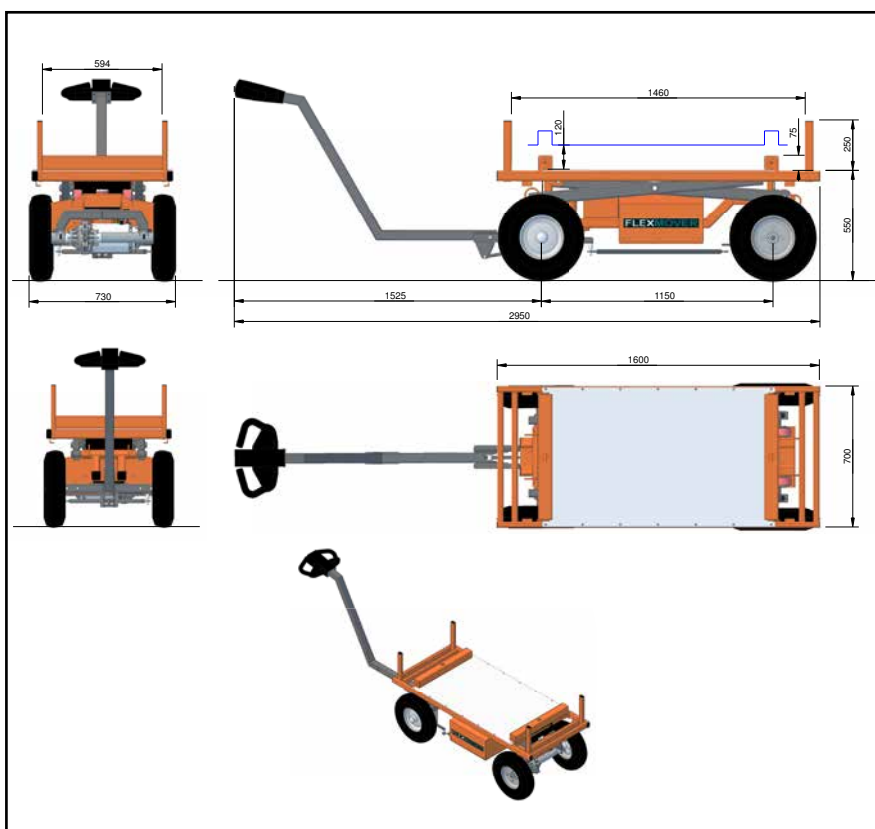
FLEXMOVER

Flexmove ApS, Transportvej 23, DK-7620 Lemvig.

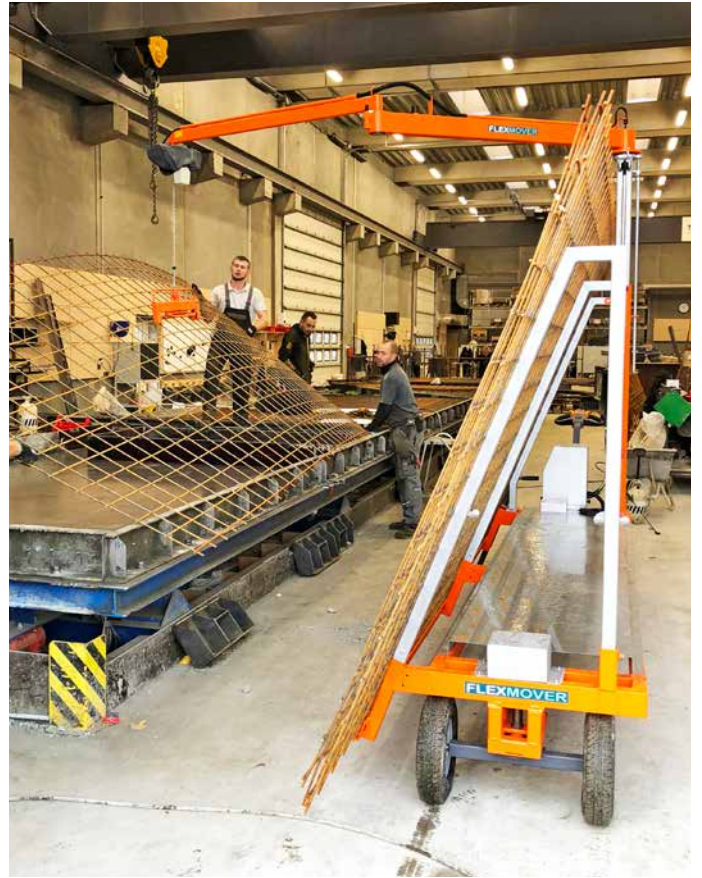




Technical Data	
Driving speed:	Approx. 4-6 km/h
Max load:	1,250 kgs.
Lifting capacity:	1,250 kgs.
Traction:	Stop/start at 7° slope, fully loaded
Wheels:	Puncture proof foam-filled air rubber tyres
Width:	730 mm
Height:	915 mm
Weight:	300 kgs.
Length incl. steering handle:	2,950 mm
Engine Power:	2 HP, 1,5 kW/1500W



FLEXMOVER TELECRANE



FLEXMOVER LONG JOHN

